

SOUTHERN *CRANES & ACCESS*

SOUTHERN *CONTRACT LIFTING*



GENIE 34/22

SELF PROPELLED
ARTICULATED
BOOM



WEST SUSSEX DEPOT
TEL: 01798 875988
FAX: 01798 875989
sales@southerncranes.co.uk

www.southerncranes.co.uk

LONDON DEPOT
TEL: 0208 683 1188
FAX: 0208 683 1199
southernlifting@tiscali.co.uk

Genie's engine-powered articulating Z booms provide the ultimate in lifting versatility, with up, out and over positioning capabilities. Many options are available, including two and four-wheel drive, a rough terrain package and multiple power options.

FEATURES

Platform options

- Steel 4ft 8in (1.42m) (standard)
- Half mesh platform with swing gate

Power options

- 48V DC power source
- Kubota 3-cylinder gas/LPG 24.5 hp (18.3 kW)
- Kubota 3-cylinder diesel 23.5 hp (17.5 kW)
- Perkins 3-cylinder diesel 26.1 hp (19.5 kW)

Drive options

- 2WD
- 4WD

Tire options

- Industrial air-filled tires (standard 2WD)
- Rough terrain air-filled tires (standard 4WD)
- Industrial foam-filled tires
- Non-marking industrial air and foam tires
- Rough terrain foam-filled tires
- High floatation air filled tires

STANDARD FEATURES

Measurements

2WD

- 40ft 6in (12.52m) working height
- 22ft 3in (6.78m) horizontal reach
- 14ft 11in (4.54m) up and over clearance
- Up to 500lb (227kg) lift capacity

4WD

- 40ft 10in (12.62m) working height
- 22ft 3in (6.78m) horizontal reach
- 15ft (4.57m) up and over clearance
- Up to 500lb (227kg) lift capacity

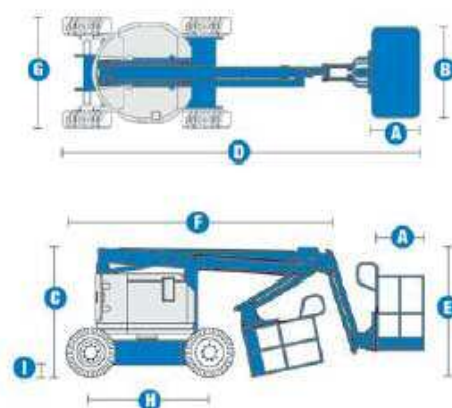
Productivity

- 4ft (1.22m) jib with 144° working range
- Self-levelling platform
- Hydraulic platform rotation
- Fully proportional controls
- Drive enable
- AC power to platform
- Horn
- Hour meter
- Tilt alarm
- 355° non-continuous turntable rotation
- Zero tallswing and front arm swing
- Two speed wheel motors
- Locking turntable covers

Power

- All engines are emissions compliant
- Engine protection package
- 12V DC auxiliary power

RANGE OF MOTION



SPECIFICATIONS

Model - 34/22

Working height max*

Platform height max

Horizontal reach max

Up and over clearance - at platform

Up and over clearance - at jib

- (A) Platform length
- (B) Platform width
- (C) Height - stowed
- (D) Length - stowed
- (E) Storage height
- (F) Storage length
- (G) Width
- (H) Wheelbase
- (I) Ground clearance

Lift capacity

Platform rotation

Vertical jib rotation

Turntable rotation

Turntable tallswing

Drive speed - stowed

Drive speed - raised

Gradeability

Turning radius - inside

Turning radius - outside

Controls

Tyres

Power source

Auxiliary power unit

Hydraulic tank capacity

Weight

Metric

Imperial

12.52m

40ft 6in

10.52m

34ft 6in

6.78m

22ft 3in

4.65m

15ft 3in

4.62m

15ft 2in

0.76m

2ft 6in

1.42m

4ft 8in

2m

6ft 7in

5.72m

18ft 9in

2.26m

7ft 5in

4.19m

13ft 9in

1.47m

4ft 10in

1.88m

6ft 2in

0.14m

5.5in

227kg

500lbs

180°

144°

355° non-continuous

zero

6.4km/h

4.0mph

1.0km/h

0.6mph

35%

2.13m

7ft

4.08m

13ft 5in

proportional

0.56 x 0.18 x 0.45m

22 x 7 x 7.75in

48 V DC (eight- 6 V batteries 315 Ah capacity)

24 V DC

15.1L

4 gal

5171kg

11400lbs

* The metric equivalent of working height adds 2 m to platform height. Imperial adds 6 ft to platform height
 ** In the lift mode (platform raised), the machine is designed to operate on firm, level surfaces only
 *** Gradeability applies to driving on slopes. See operators manual for details regarding slope ratings
 **** Weight will vary depending on options and/or country standards