

SOUTHERN *CRANES & ACCESS*

SOUTHERN *CONTRACT LIFTING*

THE MANITOU 1030



WEST SUSSEX DEPOT

TEL: 01798 875988

FAX: 01798 875989

sales@southerncranes.co.uk

www.southerncranes.co.uk

LONDON DEPOT

TEL: 0208 683 1188

FAX: 0208 683 1199

southernlifting@tiscali.co.uk

THE MANITOU 1030

MT 1030 S



Lifting capacity3000 kg
at 500 mm from forks heels.
Tipping load at maximum reach1160 kg
Tear at force with toothed
digging bucket (Iso 8313 - 1986)5330 daN

Lifting height9.98 m
Times : Unladen/loaded (in s)
Lifting6.7/9
Lowering5.2/5.4
Simultaneous extension 1st and 2nd booms13.8/14.2
Simultaneous retraction 1st and 2nd booms8.6/7.3
Time unladen (in s)
Crowding3
Dumping2.5

Tyres
400/80 - 24 156 A8 TL

Forks (mm)
Length1200
Width x thickness125 X 45
Maximum distance between forks1040
Carriage rotation126°

Hydraulically operated brakes
with oil-immersed muddiscs on both axles

Perkins Engine
Type1104C-44
Capacity4 cyl. 4400 cm³
Power (ISO 14396) :82 HP/61.5 kW
Maximum torque :302 Nm at 1400 rpm
Direct injection
water cooling

TransmissionTorque Converter
Electro - Hydraulic reversing shift
4 gears forward and reverse
Maximum travel speed25 km/h

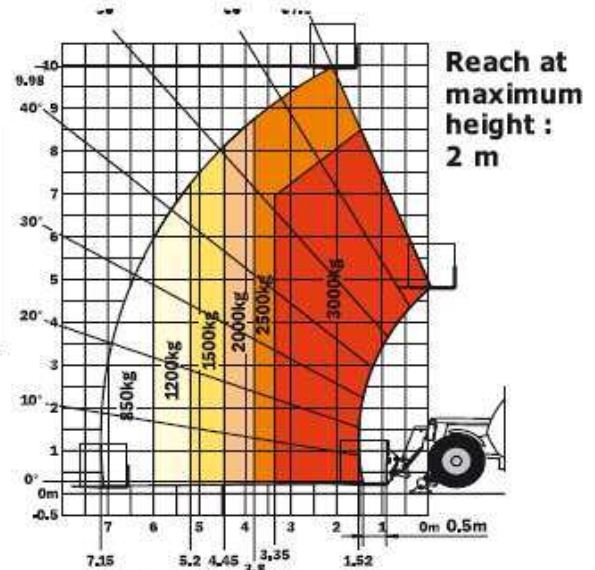
Hydraulics
Lifting/tilting pump
gear type :250 bars /105 l/min
Flow divider with priority to steering and brakes.

Capacities
Cooling system18.5 l.
Engine oil10.5 l.
Hydraulic oil125 l.
Transmission oil15.5 l.
Fuel tank120 l.

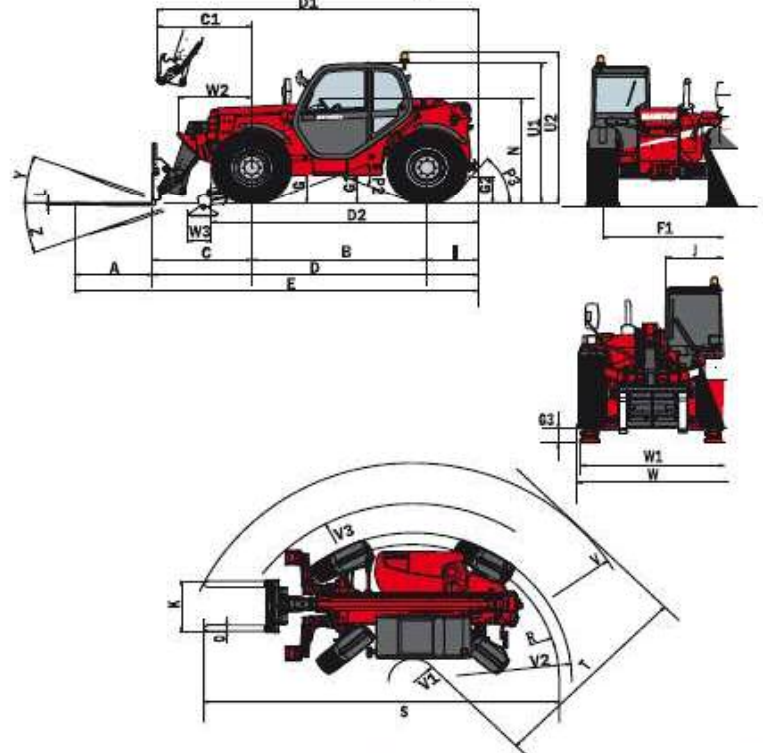
Weight unladen (with forks)74.70 kg
Overall width2.26 m
Overall height2.30 m
Turning radius (outside wheels)3.75 m
Length up to carriage4.99 m
Ground clearance0.44 m
Drawbar pull8200 daN

Under Norme
EN 1459
annexe B

Standard :
- Beacon
- Floating forks carriage
- Attachment hydraulic line
- Reverse alarm and lights
Options :
- Wide range of attachments
(buckets, jibs, made to measure attachments)
- Air conditioning
- Work lights



	mm
A	1200
B	2690
C	1513
C1	1602
D	4992
D1	5081
D2	4064
E	6192
F	1846
G	455
G1	440
G2	440
G3	220
I	789
J	865
K	1040
L	45
N	1690
O	125
P2	44°
P3	53°
R	3545
S	7810
T	3640
U1	2300
U2	2550
V	4950
V1	1310
V2	3753
V3	4200
W	2261
W1	2210
W2	1132
W3	340
Y	12°
Z	114°



WEST SUSSEX DEPOT
TEL: 01798 875988
FAX: 01798 875989
sales@southerncranes.co.uk



LONDON DEPOT
TEL: 0208 683 1188
FAX: 0208 683 1199
southernlifting@tiscali.co.uk

WINTERFIELDS FARM, WIGGONHOLT, PULBOROUGH
WEST SUSSEX RH20 2EJ
www.southerncranes.co.uk