

SOUTHERN *CRANES & ACCESS*

SOUTHERN *CONTRACT LIFTING*

**ALL TERRAIN
ATF 50-G
CRANE**



WEST SUSSEX DEPOT

TEL: 01798 875988

FAX: 01798 875989

sales@southerncranes.co.uk

www.southerncranes.co.uk

LONDON DEPOT

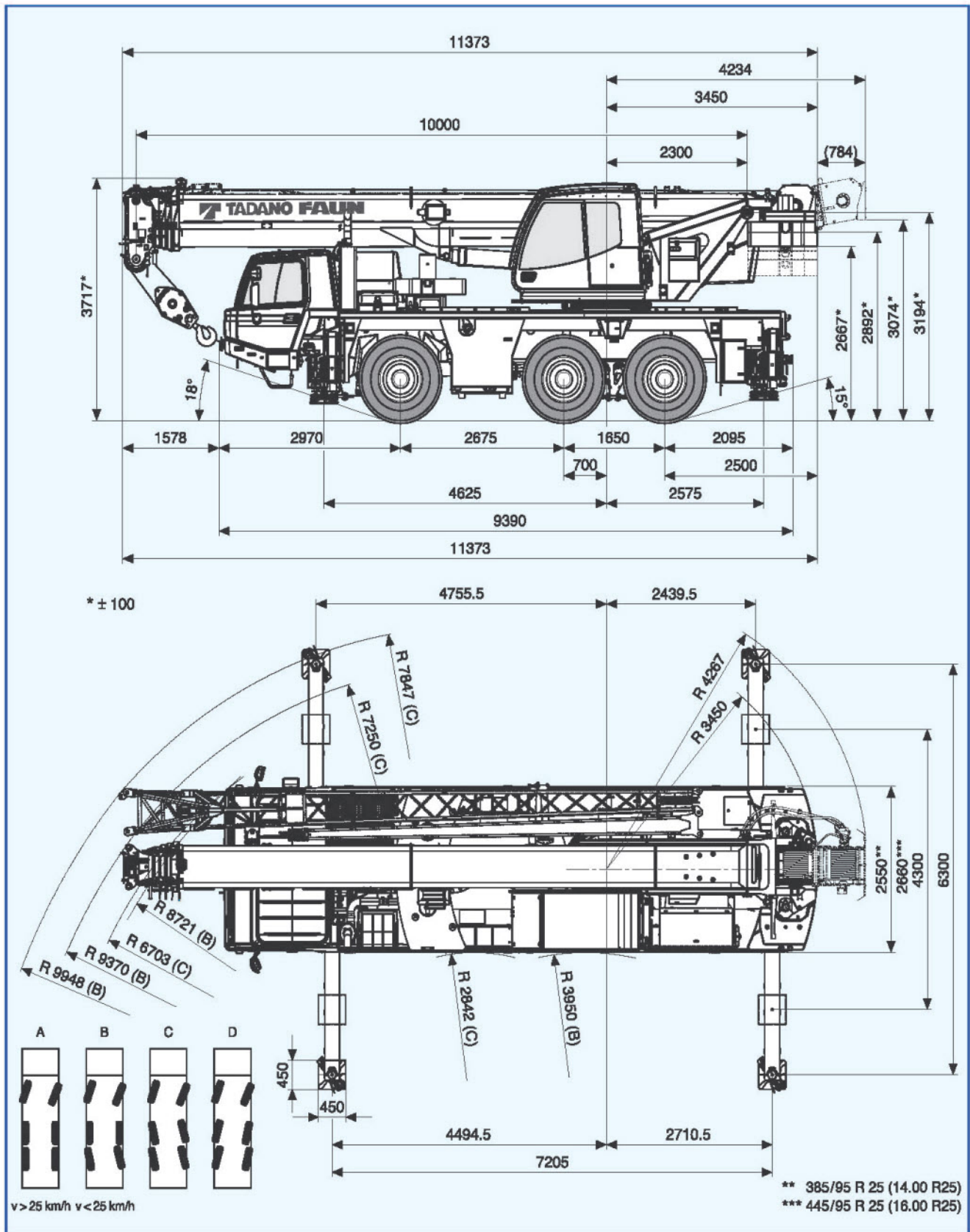
TEL: 0208 683 1188

FAX: 0208 683 1199

southernlifting@tiscali.co.uk

ATF 50-G

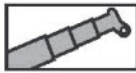
DIMENSIONS



WEST SUSSEX DEPOT
TEL: 01798 875988 FAX: 01798 875989
sales@southerncranes.co.uk

ATF 50-G

LIFTING CAPACITIES



10t

DIN/ISO/EN

→ m	10.0 m*	10.0 m	13.8 m	17.5 m	21.3 m	25.0 m	28.8 m	32.5 m	36.3 m	40.0 m
2.5	50.0**									
3.0	45.4**									
3.5	41.6	45.4**								
4.0	38.4	41.6	30.0	30.0	20.0					
4.5	35.5	38.4	30.0	30.0	20.0	20.0	17.6			
5.0	32.8	35.1	30.0	28.7	20.0	20.0	17.6			
6.0	26.9	31.8	30.0	26.9	20.0	20.0	17.2	12.8		
7.0	22.3	26.6	28.1	23.8	20.0	18.2	15.6	12.8	9.9	
8.0		22.3	21.7	21.3	18.9	16.5	14.3	12.4	9.9	7.5
9.0			19.1	19.5	17.5	15.1	13.1	11.5	9.9	7.5
10.0			15.7	16.0	16.1	13.8	12.1	10.6	9.5	7.5
11.0			13.2	13.5	13.7	12.4	11.2	9.9	8.8	7.5
12.0			11.3	11.6	11.7	10.6	10.4	9.2	8.2	7.3
14.0				10.1	10.2	9.1	9.3	8.6	7.7	6.9
16.0				7.8	8.0	8.1	7.1	7.3	6.8	6.1
18.0					6.4	6.5	6.2	5.8	5.9	5.4
20.0					5.3	5.4	5.4	4.8	4.8	4.9
22.0						4.5	4.5	4.3	3.9	4.0
24.0						3.8	3.8	3.8	3.2	3.3
26.0							3.3	3.3	2.6	2.7
28.0							2.8	2.8	2.1	2.3
30.0								2.4	1.7	1.8
32.0								2.1	1.4	1.5
34.0									1.1	1.2
36.0										1.0
38.0										0.7

* Over rear ** With additional lifting equipment



10t

DIN/ISO/EN

→ m	32.5 m + 9.0 m			36.3 m + 9.0 m				40.0 m + 9.0 m			32.5 m + 16.0 m		36.3 m + 16.0 m			40.0 m + 16.0 m		
	40°	0°	20°	40°	0°	20°	40°	0°	20°	40°	40°	0°	20°	40°	0°	20°	40°	
3.0																		
3.5																		
4.0																		
4.5																		
5.0																		
6.0																		
7.0																		
8.0					4.3			3.7										
9.0					4.3			3.7				2.7						
10.0					4.3			3.7				2.7					2.3	
11.0					4.3	4.3		3.7				2.7					2.3	
12.0	4.0				4.3	4.3		3.7	3.7			2.7					2.3	
14.0	3.8				4.3	4.0	3.7	3.7	3.5	3.4		2.7					2.3	
16.0	3.7				4.0	3.7	3.5	3.5	3.3	3.2		2.7					2.3	
18.0	3.6				3.6	3.5	3.3	3.2	3.1	3.0		2.7	2.2				2.3	2.1
20.0	3.5				3.3	3.2	3.1	2.9	2.9	2.8		2.6	2.1	1.8			2.3	2.0
22.0	3.4				3.0	3.0	3.0	2.7	2.7	2.6	1.9	2.4	2.0	1.7			2.3	1.9
24.0	3.0				2.6	2.8	2.8	2.4	2.5	2.5	1.7	2.3	1.9	1.7			2.1	1.9
26.0	2.4				2.2	2.4	2.6	2.2	2.3	2.3	1.7	2.2	1.8	1.6			2.0	1.8
28.0	2.0				1.7	2.0	2.1	1.8	2.0	2.1	1.6	2.0	1.8	1.6			1.9	1.7
30.0	1.6				1.4	1.6	1.7	1.4	1.6	1.7	1.6	1.6	1.7	1.5			1.6	1.7
32.0	1.2				1.1	1.2	1.3	1.1	1.3	1.4	1.6	1.3	1.6	1.5			1.3	1.6
34.0					0.8	1.0	1.0	0.8	1.0	1.1	1.5	1.0	1.3	1.5			1.0	1.3
36.0					0.6	0.7		0.6	0.7	0.8	1.5	0.8	1.1	1.2			0.8	1.1
38.0						0.5			0.5		1.2	0.6	0.8	1.0			0.6	0.8
40.0											0.9		0.6	0.7				0.8
42.0																		0.6
44.0																		0.5

LONDON DEPOT

TEL: 0208 683 1188 FAX: 0208 683 1199

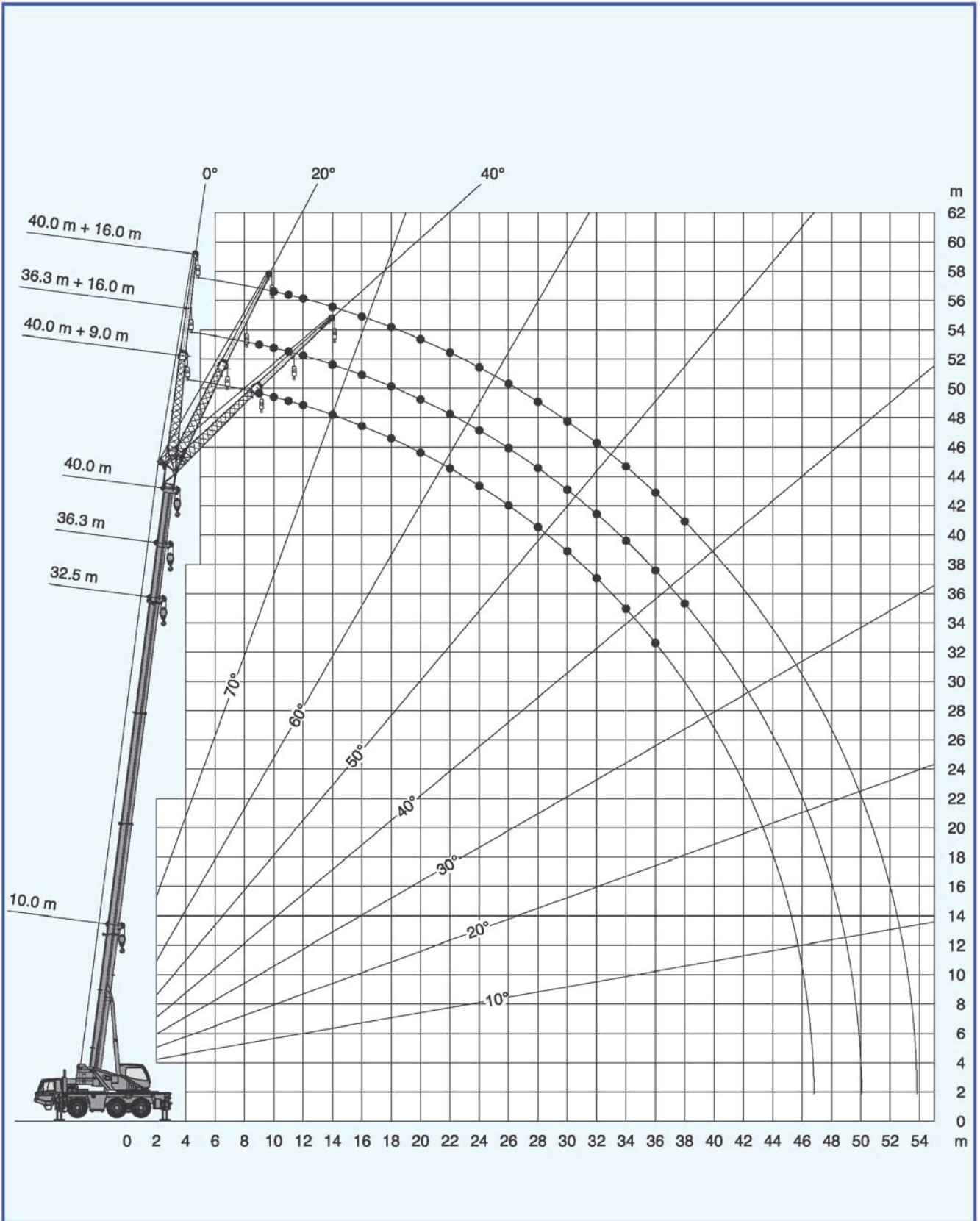
southernlifting@tiscali.co.uk

ATF 50-G

LIFTING HEIGHTS



DIN/ISO/EN



WEST SUSSEX DEPOT

TEL: 01798 875988

FAX: 01798 875989

sales@southerncranes.co.uk

www.southerncranes.co.uk

LONDON DEPOT

TEL: 0208 683 1188

FAX: 0208 683 1199

southernlifting@tiscali.co.uk