

**SOUTHERN** *CRANES & ACCESS*

**SOUTHERN** *CONTRACT LIFTING*

# KOBELCO RK200



**WEST SUSSEX DEPOT**

**TEL: 01798 875988**

**FAX: 01798 875989**

**sales@southerncranes.co.uk**

**[www.southerncranes.co.uk](http://www.southerncranes.co.uk)**

**LONDON DEPOT**

**TEL: 0208 683 1188**

**FAX: 0208 683 1199**

**southernlifting@tiscali.co.uk**

# LIFTING CAPACITIES

## Main Boom lifting capacities with out-riggers

Operating Radius (m)	With outriggers in 5.1m position					With outriggers in 4.8m position					With outriggers in 4.2m position				
	360° swing area					Over the side					Over the side				
	Boom length in meters					Boom length in meters					Boom length in meters				
	6.7	11.3	15.9	20.4	25.0	6.7	11.3	15.9	20.4	25.0	6.7	11.3	15.9	20.4	25.0
2.5	20.00	12.00	9.00	7.00		16.00	12.00	9.00	7.00		16.00	12.00	9.00	7.00	
3.0	16.00	12.00	9.00	7.00		16.00	12.00	9.00	7.00		16.00	12.00	9.00	7.00	
3.5	14.00	12.00	9.00	7.00	5.00	14.00	12.00	9.00	7.00	5.00	14.00	12.00	9.00	7.00	5.00
4.0	12.50	12.00	9.00	7.00	5.00	12.50	12.00	9.00	7.00	5.00	12.50	12.00	9.00	7.00	5.00
4.5	11.50	11.10	8.50	7.00	5.00	11.50	11.10	8.50	7.00	5.00	11.20	10.55	8.30	7.00	5.00
5.0		10.25	8.05	7.00	5.00		10.15	8.05	7.00	5.00		9.15	7.65	7.00	5.00
5.5		9.40	7.60	6.60	4.75		9.10	7.60	6.60	4.75		7.75	6.95	6.55	4.75
6.0		8.55	7.15	6.20	4.55		8.05	7.10	6.20	4.55		6.55	6.30	6.10	4.55
6.5		7.70	6.70	5.80	4.35		7.00	6.60	5.80	4.35		5.65	5.60	5.70	4.35
7.0		6.85	6.20	5.50	4.15		6.20	6.05	5.50	4.15		4.90	4.95	5.25	4.15
7.5		6.00	5.70	5.15	3.90		5.40	5.45	5.15	3.90		4.30	4.40	4.70	3.95
8.0		5.30	5.20	4.85	3.70		4.75	4.80	4.80	3.70		3.80	3.85	4.20	3.70
9.0		4.25	4.25	4.30	3.30		3.80	3.85	4.10	3.30		3.05	3.10	3.40	3.30
10.0			3.50	3.75	3.00			3.15	3.45	3.00			2.50	2.80	2.90
11.0			2.90	3.20	2.70			2.60	2.90	2.70			2.05	2.35	2.50
12.0			2.45	2.75	2.50			2.20	2.45	2.45			1.70	1.95	2.15
13.0			2.05	2.35	2.30			1.85	2.10	2.20			1.40	1.65	1.85
14.0			1.85	2.05	2.10			1.70	1.80	1.95			1.25	1.45	1.60
15.0			(13.6m)	1.75	1.90			(13.6m)	1.55	1.70			(13.6m)	1.20	1.40
16.0				1.50	1.70				1.35	1.50				1.00	1.20
17.0				1.32	1.50				1.15	1.30				0.80	1.00
18.0				1.15	1.30				0.95	1.15				0.65	0.85
19.0				1.15	1.15				0.90	1.00				0.60	0.70
20.0				(18.1m)	1.00				(18.1m)	0.85				(18.1m)	0.60
21.0					0.90					0.75					0.50
22.0					0.80					0.65					0.40
22.7					0.74					0.60					0.35
Min Boom angle	0°	0°	0°	0°	0°	0°	0°	0°	0°	0°	0°	0°	0°	0°	0°

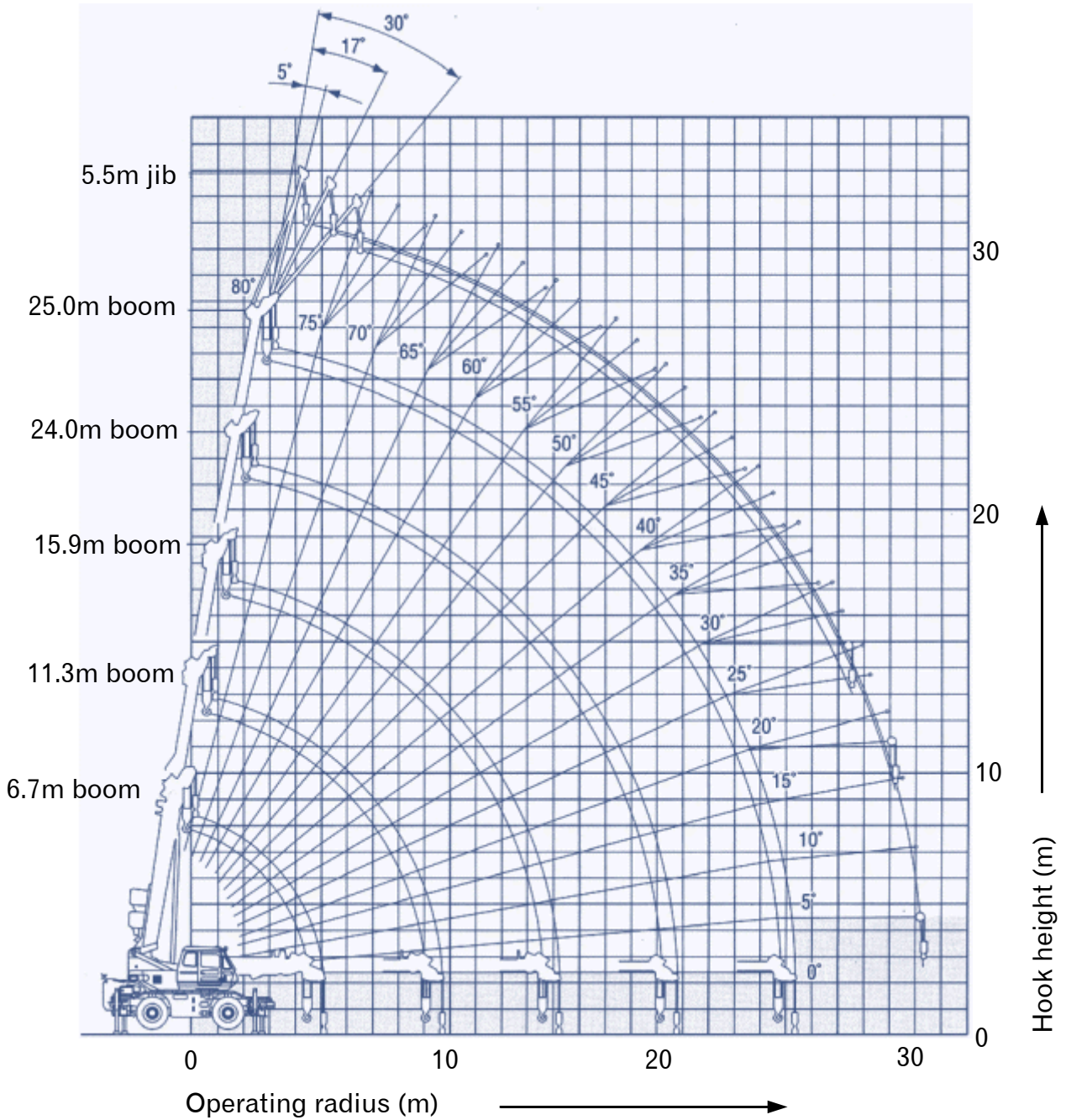
# LIFTING CAPACITIES

## Main Boom lifting capacities with out-riggers

Operating Radius (m)	With outriggers in 3.2m position					With outriggers in min. position				
	Over the side					Over the side				
	Boom length in meters					Boom length in meters				
	6.7	11.3	15.9	20.4	25.0	6.7	11.3	15.9	20.4	25.0
2.5	16.00	12.00	9.00	7.00		7.75	7.80	7.80	7.00	
3.0	13.00	12.00	9.00	7.00		5.55	5.60	5.60	6.10	
3.5	10.00	10.00	9.00	7.00	5.00	4.20	4.30	4.25	4.70	4.70
4.0	7.70	7.80	7.20	7.00	5.00	3.30	3.40	3.35	3.70	3.80
4.5	5.40	6.20	6.10	6.45	5.00	2.65	2.70	2.70	3.00	3.10
5.0		5.10	5.00	5.30	5.00		2.20	2.25	2.55	2.65
5.5		4.30	4.20	4.50	4.70		1.80	1.85	2.10	2.25
6.0		3.60	3.60	3.85	4.05		1.50	1.55	1.80	1.90
6.5		3.10	3.10	3.35	3.55		1.25	1.30	1.55	1.65
7.0		2.70	2.70	2.95	3.10		1.05	1.05	1.30	1.45
7.5		2.40	2.35	2.60	2.80		0.85	0.85	1.15	1.30
8.0		2.10	2.05	2.30	2.50		0.70	0.70	0.95	1.10
9.0		1.65	1.60	1.85	2.00			0.45	0.70	0.85
10.0			1.25	1.50	1.65			0.30	0.50	0.65
11.0			1.00	1.20	1.35				0.29	0.50
12.0			0.80	1.00	1.15					0.30
13.0			0.63	0.80	0.95					
14.0			0.50	0.65	0.80					
15.0			(13.6m)	0.55	0.65					
16.0				0.40	0.55					
17.0					0.45					
18.0					0.35					
19.0										
20.0										
21.0										
22.0										
22.7										
Min Boom angle	0°	0°	0°	29°	37°	0°	29°	45°	52°	57°

# WORKING RANGES

## Working ranges

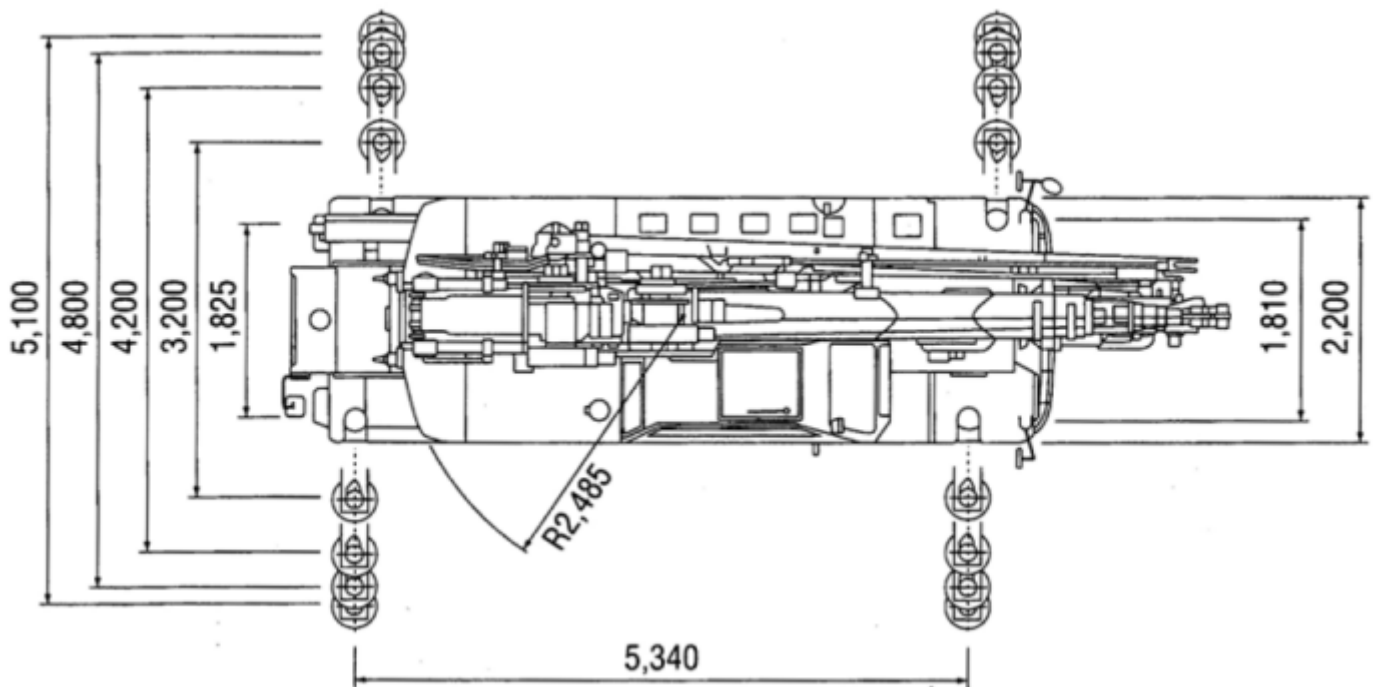
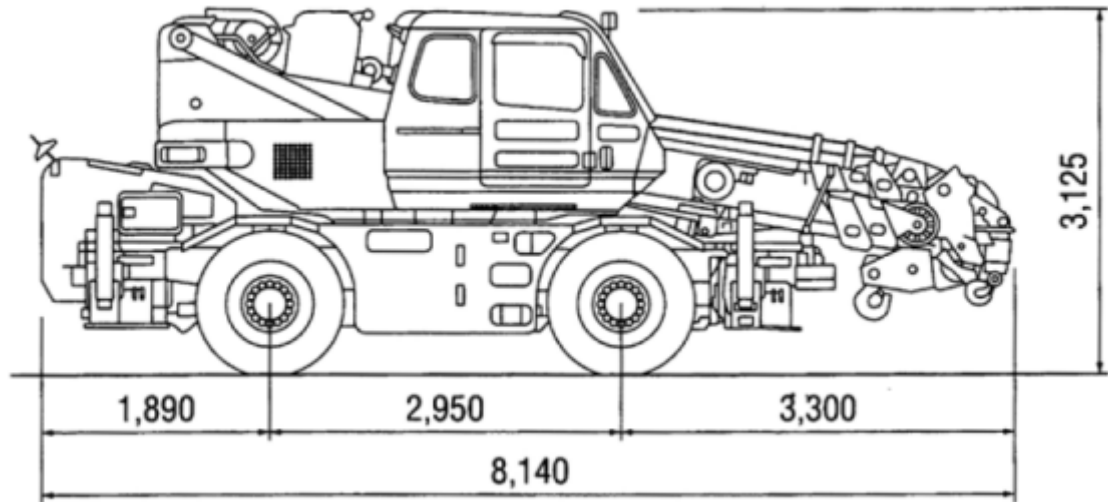


**West Sussex Depot**

**Tel: 01798 875988 Fax: 01798 875989**

**sales@southerncranes.co.uk**

# DIMENSIONS



**West Sussex Depot**  
**Tel: 01798 875988 Fax: 01798 875989**  
**sales@southerncranes.co.uk**

# KOBELCO RK200

## Features

- Engine : Mitsubishi 6D16-TUG
- Max output : 141kW
- Drive : 4 wheel drive with 2 wheel drive for high speed mode
- Gross vehicle weight : 19,535 kg
- Gradeability : 31°
- Out-riggers : Hydraulic H type with plates
- Max lifting capacity: 20.0 tonne
- Boom retracted length : 6.7m
- Boom extended length : 25.0m
- Boom raising angle : -9 to 80°
- Boom raising time: 39sec
- Boom telescoping time : 60sec / 18.3 m
- Jib length : 5.5m

**SOUTHERN CRANES & ACCESS**

WEST SUSSEX DEPOT  
TEL: 01798 875988  
FAX: 01798 875989  
[sales@southerncranes.co.uk](mailto:sales@southerncranes.co.uk)

**SOUTHERN CONTRACT LIFTING**

LONDON DEPOT  
TEL: 0208 683 1188  
FAX: 0208 683 1199  
[southernlifting@tiscali.co.uk](mailto:southernlifting@tiscali.co.uk)

**West Sussex Depot**  
**Tel: 01798 875988 Fax: 01798 875989**  
**[sales@southerncranes.co.uk](mailto:sales@southerncranes.co.uk)**