

SOUTHERN *CRANES & ACCESS*

SOUTHERN *CONTRACT LIFTING*

THE SNORKEL AB50J ARTICULATED BOOM



WEST SUSSEX DEPOT
TEL: 01798 875988
FAX: 01798 875989
sales@southerncranes.co.uk

www.southerncranes.co.uk

LONDON DEPOT
TEL: 0208 683 1188
FAX: 0208 683 1199
southernlifting@tiscali.co.uk

SNORKEL AB50J

ARTICULATED BOOM

Platform

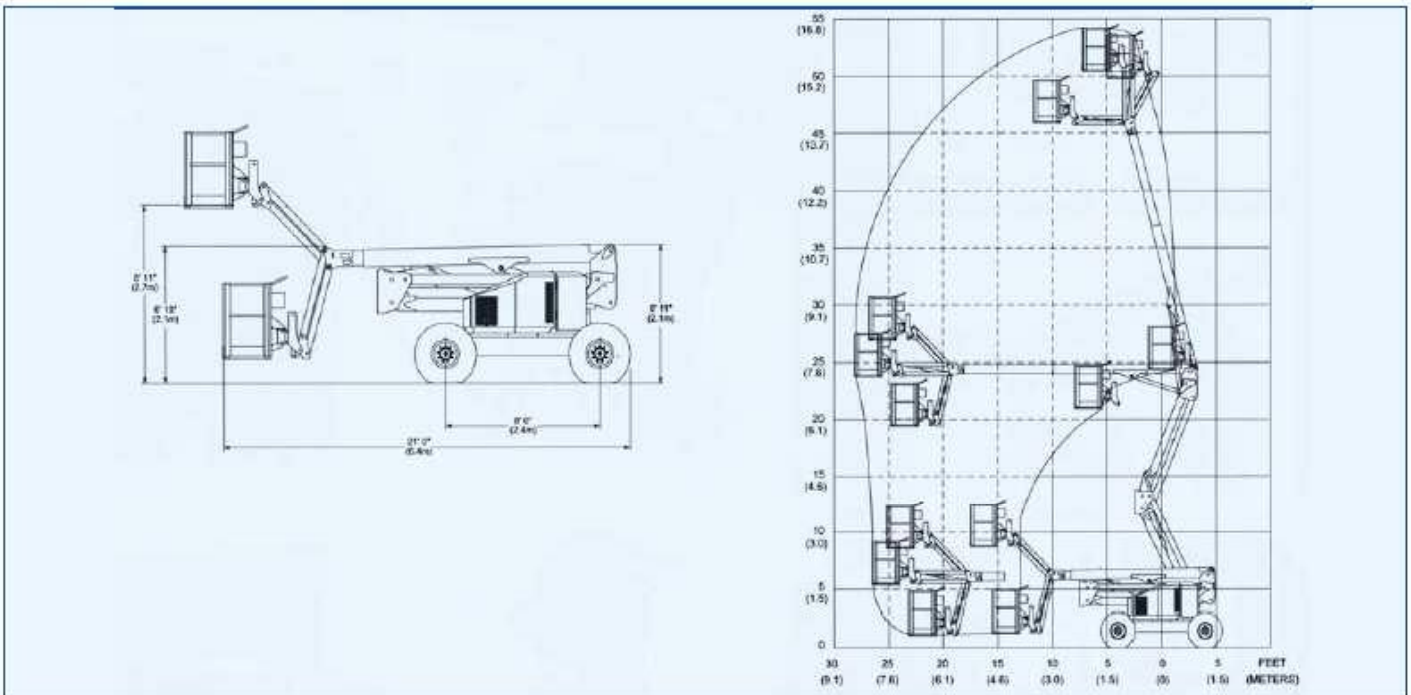
Height.....50' (15.2 m)
 Size.....30" x 72" (76 cm x 183 cm)
 Capacity.....500 lbs (227 kg)
 Construction.....Aluminum

Machine Dimensions

Stowed Length.....21' (6.4 m)
 Stowed Height.....6'11" (2.1 m)
 Wheelbase.....8' (2.4 m)
 Width.....7'6" (2.3 m)
 Ground Clearance.....10" (25 cm)
 Weight.....15,635 lbs (7,092 kg)
 Tyre Size12" x 16 1/2" (30 cm x 42 cm)

Performance

Power Source.....Gas or Diesel
 Fuel Capacity.....15 gal (56.7 L)
 Hydraulic Capacity.....20 gal (83.3 L)
 Drive Speed
 Elevated.....0.5 mph (0.8 km/h)
 Stowed.....3.5 mph (5.6 km/h)
 Gradeability (Theoretical).....57%
 Horizontal Reach.....28' (8.5 m)



Standard Features

- Variable speed controlled functions
- 4' 6" (1.2m) articulating jib boom
- Proportional drive
- Engine anti-restart
- Tie down lugs
- 180 degree hydraulic Platform rotation
- 12 volt emergency operated power
- Printed circuit board with on-board LED diagnostics
- Four wheel drive
- Driveable at full height
- Tilt alarm
- 125 volt GFFI AC outlet
- Front Oscillating axle
- Hour meter
- High engine temp/low oil pressure shut down
- Lifting lugs
- Hydraulic oil level and temp. gauge

SOUTHERN CRANES & ACCESS

WEST SUSSEX DEPOT
 TEL: 01798 875988
 FAX: 01798 875989
 sales@southerncranes.co.uk

SOUTHERN CONTRACT LIFTING

LONDON DEPOT
 TEL: 0208 683 1188
 FAX: 0208 683 1199
 southernlifting@tiscali.co.uk

WINTERFIELDS FARM, WIGGONHOLT, PULBOROUGH
 WEST SUSSEX RH20 2EJ
www.southerncranes.co.uk