

SOUTHERN *CRANES & ACCESS*

SOUTHERN *CONTRACT LIFTING*

SNORKEL SLH 3284 HD

**NOW AVAILABLE WITH
JACKLEGS FOR WORKING
ON INCLINES**



WEST SUSSEX DEPOT
TEL: 01798 875988
FAX: 01798 875989
sales@southerncranes.co.uk

www.southerncranes.co.uk

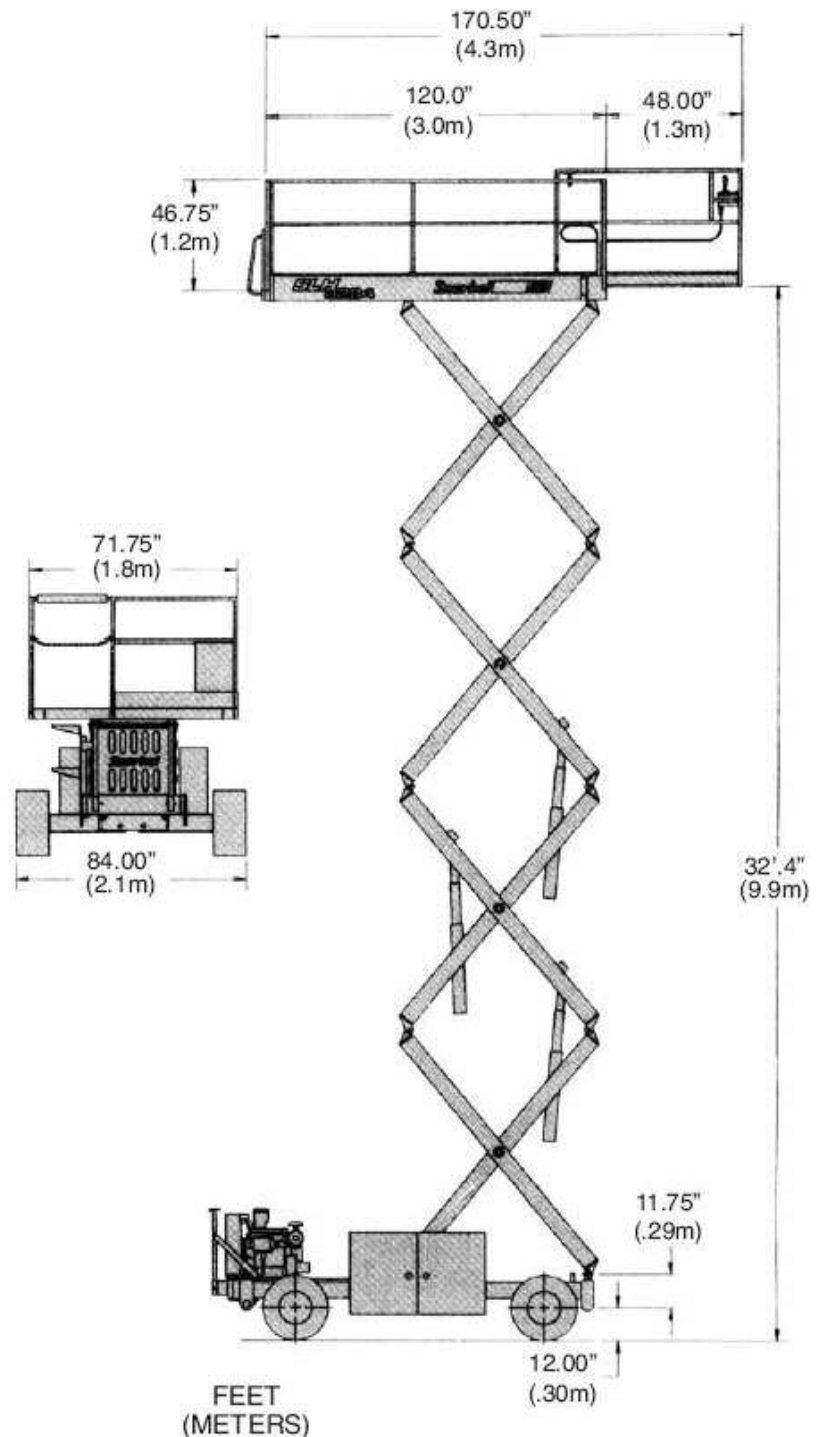
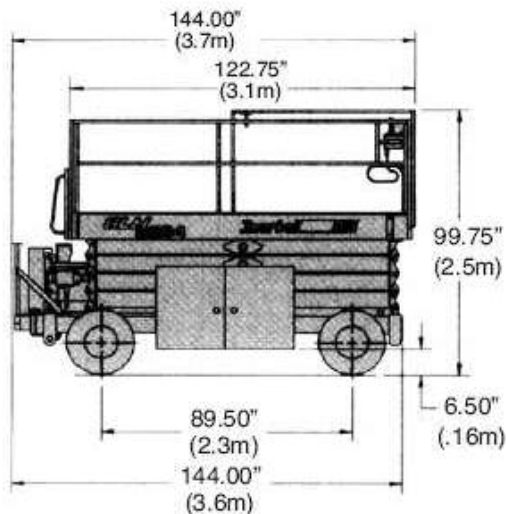
LONDON DEPOT
TEL: 0208 683 1188
FAX: 0208 683 1199
southernlifting@tiscali.co.uk

SNORKEL SLH 3284HD ROUGH TERRAIN SCISSORS

SLH 3284hd

Working Height	38'4" (11.7m)
Platform Height	32'4" (9.8m)
Platform Capacity*	1,250lbs (567kg)
Platform Size	6' x 10' (1.8 x 3.0m)
Guardrail Height	43 1/2" (110cm)
Toeboard Height	4" (15 cm)
Stowed Overall Height	8' 3/4" (2.5m)
Overall Width	7' 0" (2.1m)
Overall Length	12' 1/2" (3.7m)
Wheelbase	7' 5 1/2" (2.3m)
Turning Radius (Inside)	8' 6" (2.6m)
Turning Radius (Outside)	16' 5" (5.0m)
Gradeability	37%
Power Source	Diesel Engine
Fuel Capacity	13 US gallons (49.3L)
Drive Speeds (High)	2.4 mph (3.9 kph)
Drive Speeds (Low)	0.4 mph (0.6 kph)
Platform Lift Speed	28 seconds
Ground Clearance (approx)	6 3/4" (17 cm)
Tyres	26 x 12
Type	Foam Filled, 8 ply rating
Weight (approx)	8,300lbs (3,765kg)

*Rated load on roll-out extension deck is 350lbs (158kg)



Southern Cranes & Access

WEST SUSSEX DEPOT
TEL: 01798 875988
FAX: 01798 875989
sales@southerncranes.co.uk

WINTERFIELDS FARM
WIGGONHOLT,
PULBOROUGH
WEST SUSSEX
RH20 2EJ

Southern Contract Lifting

LONDON DEPOT
TEL: 0208 683 1188
FAX: 0208 683 1199
southernlifting@tiscall.co.uk