

SOUTHERN *CRANES & ACCESS*

SOUTHERN *CONTRACT LIFTING*

ALL TERRAIN ATF 40G-2



WEST SUSSEX DEPOT

TEL: 01798 875988

FAX: 01798 875989

sales@southerncranes.co.uk

www.southerncranes.co.uk

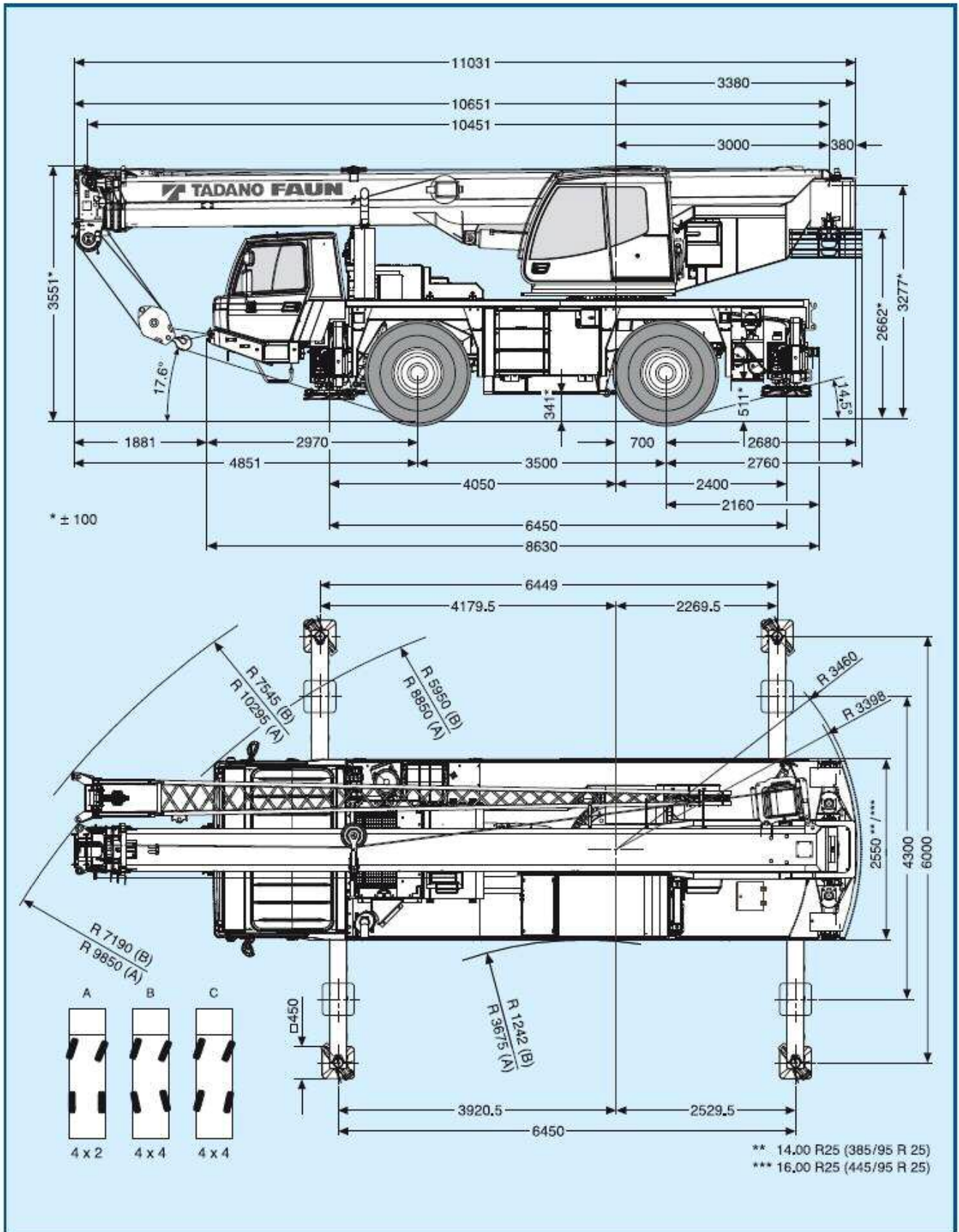
LONDON DEPOT

TEL: 0208 683 1188

FAX: 0208 683 1199

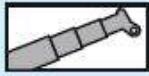
southernlifting@tiscali.co.uk

ATF 40G-2



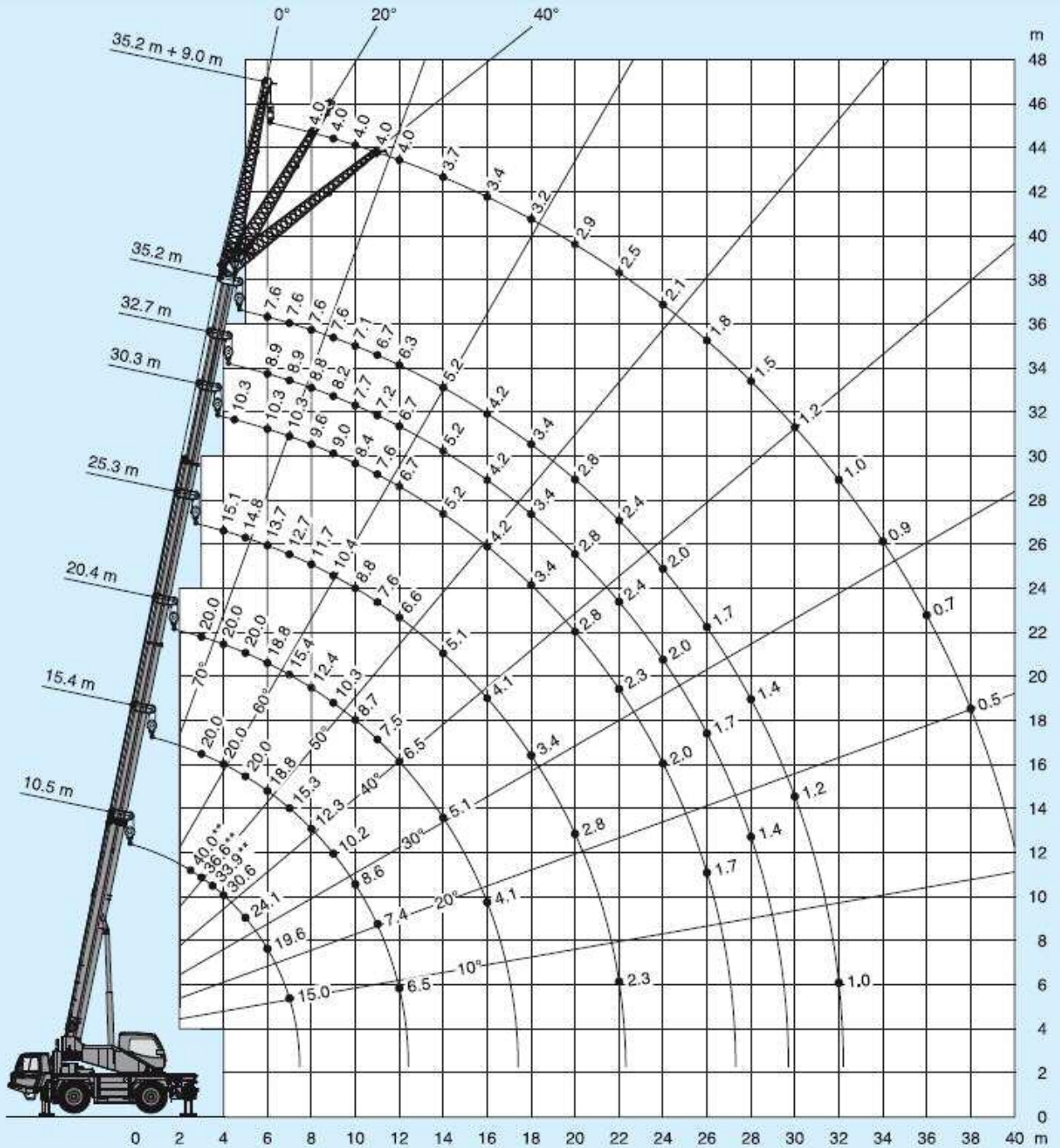
WEST SUSSEX DEPOT
TEL: 01798 875988 FAX: 01798 875989
sales@southerncranes.co.uk

LIFTING HEIGHTS



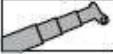





6.5t

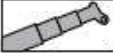





DIN/ISO/EN



** With additional lifting equipment

LIFTING CAPACITIES

  6.5t		DIN/ISO/EN							
 m	10.5 m ^a	10.5 m	15.4 m	20.4 m	25.3 m	30.3 m	32.7 m	35.2 m	
2.5	40.0**								
3.0	36.6**								
3.5	33.9**	32.1**	20.0	20.0	15.1				
4.0	30.6	28.4	20.0	20.0	15.1				
4.5	27.0	24.2	20.0	20.0	15.1	10.3			
5.0	24.1	22.2	20.0	20.0	14.8	10.3			
6.0	19.6	18.6	18.8	18.8	13.7	10.3	8.9	7.6	
7.0	15.0	15.0	15.3	15.4	12.7	10.3	8.9	7.6	
8.0			12.3	12.4	11.7	9.6	8.8	7.6	
9.0			10.2	10.3	10.4	9.0	8.2	7.6	
10.0			8.6	8.7	8.8	8.4	7.7	7.1	
11.0			7.4	7.5	7.6	7.6	7.2	6.7	
12.0			6.5	6.5	6.6	6.7	6.7	6.3	
14.0				5.1	5.1	5.2	5.2	5.2	
16.0				4.1	4.1	4.2	4.2	4.2	
18.0					3.4	3.4	3.4	3.4	
20.0					2.8	2.8	2.8	2.8	
22.0					2.3	2.3	2.4	2.4	
24.0						2.0	2.0	2.0	
26.0						1.7	1.7	1.7	
28.0							1.4	1.4	
30.0								1.2	
32.0								1.0	
 %	0	0	20	40	60	80	90	100	
 %	0	0	20	40	60	80	90	100	
 %	0	0	20	40	60	80	90	100	

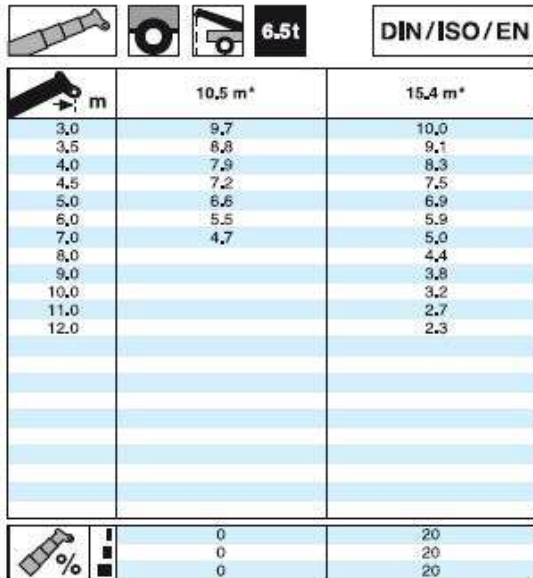
  6.5t		DIN/ISO/EN								
 m	10.5 m + 9.0 m			30.3 m + 9.0 m			35.2 m + 9.0 m			
	0°	20°	40°	0°	20°	40°	0°	20°	40°	
3.0	6.5									
3.5	6.5									
4.0	6.5	6.5								
4.5	6.5	6.5								
5.0	6.5	6.4								
6.0	6.5	6.0		5.1						
7.0	6.5	5.6	4.7	5.1						
8.0	6.4	5.4	4.5	5.1			4.0			
9.0	6.0	5.1	4.4	5.1	4.6		4.0			
10.0	5.6	4.9	4.2	5.1	4.4		4.0			
11.0	5.3	4.6	4.1	4.9	4.2		4.0	3.7		
12.0	5.1	4.4	4.0	4.7	4.1	3.8	4.0	3.5		
14.0	4.6	4.1	3.9	4.3	3.8	3.5	3.7	3.3	3.1	
16.0	4.2	4.0		4.0	3.6	3.3	3.4	3.1	2.9	
18.0				3.6	3.4	3.2	3.2	2.9	2.8	
20.0				3.0	3.2	3.0	2.9	2.8	2.6	
22.0				2.5	2.7	2.8	2.5	2.6	2.5	
24.0				2.1	2.3	2.4	2.1	2.3	2.4	
26.0				1.8	1.9	2.0	1.8	1.9	2.0	
28.0				1.5	1.6	1.7	1.5	1.6	1.7	
30.0				1.3	1.4	1.4	1.2	1.4	1.4	
32.0				1.1	1.1		1.0	1.1	1.2	
34.0				0.9	0.9		0.9	0.9	1.0	
36.0				0.8			0.7	0.8		
38.0							0.5	0.6		
 %	0			80			100			
 %	0			80			100			
 %	0			80			100			

LONDON DEPOT

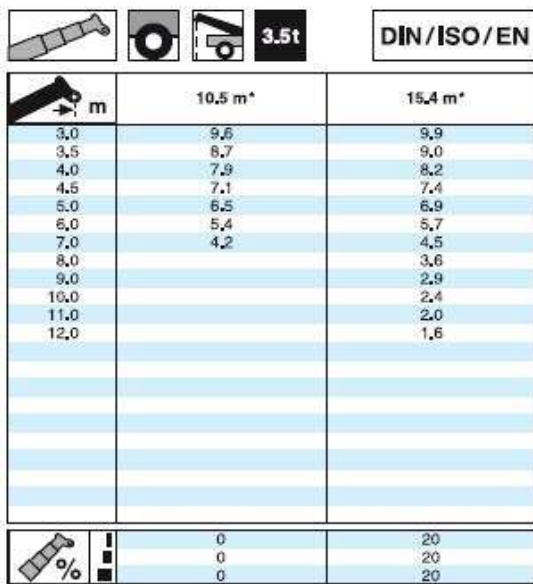
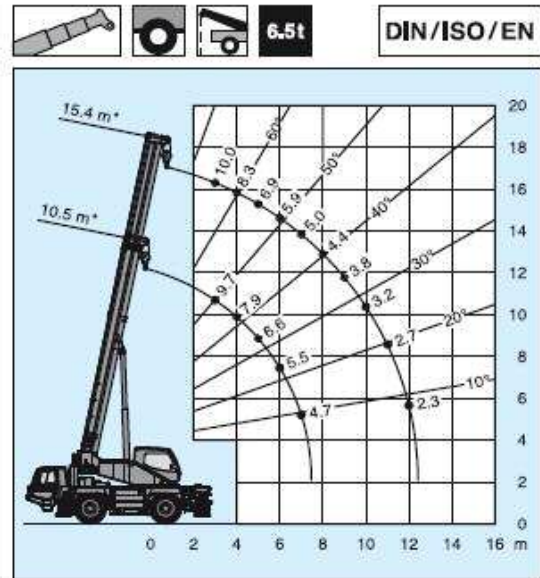
TEL: 0208 683 1188 FAX: 0208 683 1199

southernlifting@tiscali.co.uk

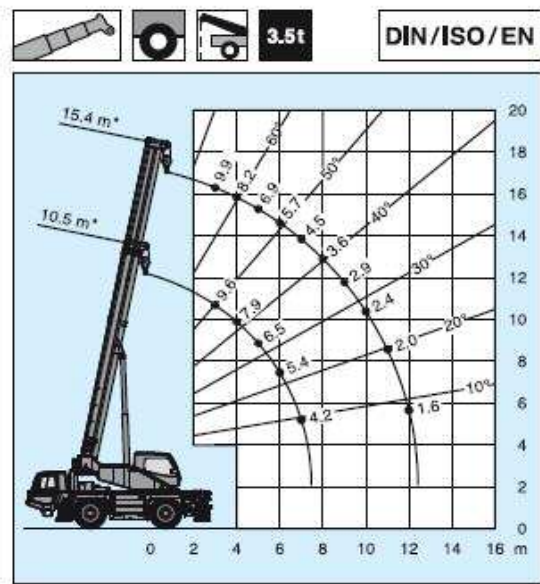
LIFTING CAPACITIES



* Superstructure locked



* Superstructure locked



ATF 40G-2

WINTERFIELDS FARM, WIGGONHOLT, PULBOROUGH
WEST SUSSEX RH20 2EJ

SOUTHERN *CRANES & ACCESS*

WEST SUSSEX DEPOT

TEL: 01798 875988

FAX: 01798 875989

sales@southerncranes.co.uk

SOUTHERN *CONTRACT LIFTING*

LONDON DEPOT

TEL: 0208 683 1188

FAX: 0208 683 1199

southernlifting@tiscali.co.uk

www.southerncranes.co.uk