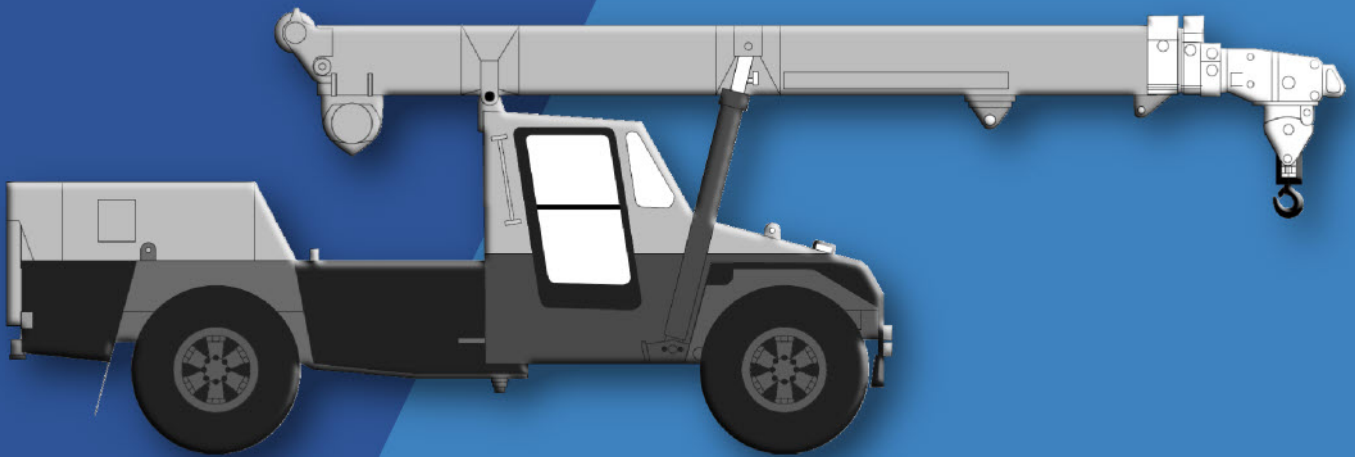


SOUTHERN *CRANES & ACCESS*

SOUTHERN *CONTRACT LIFTING*

TEREX FRANNA AT14 SB



WEST SUSSEX DEPOT

TEL: 01798 875988

FAX: 01798 875989

sales@southerncranes.co.uk

www.southerncranes.co.uk

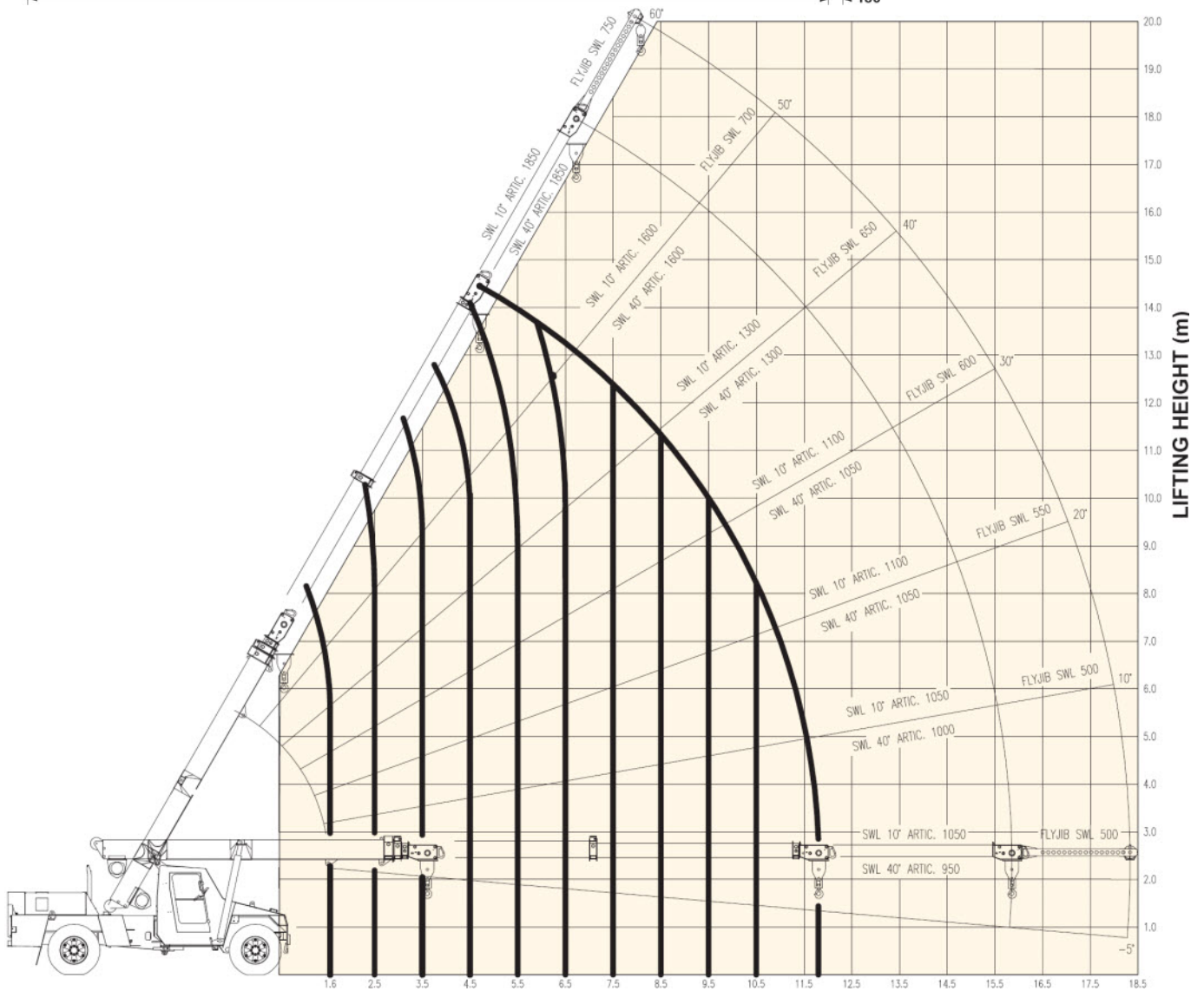
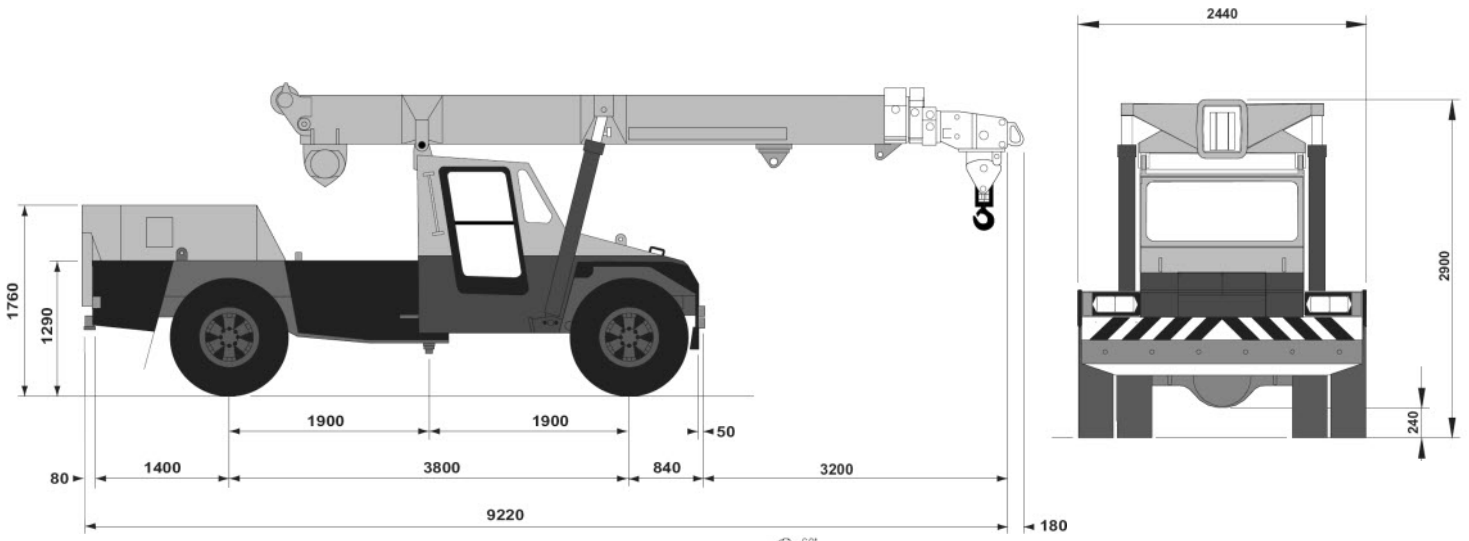
LONDON DEPOT

TEL: 0208 683 1188

FAX: 0208 683 1199

southernlifting@tiscali.co.uk

AT1 4 DIMENSIONS



Winterfields Farm, Wiggonholt, Pulborough
 West Sussex RH20 2EJ
www.southerncranes.co.uk

LIFTING CAPACITIES

Hoist Rope duties (kilograms)

Boom Angle	Boom Length Manual Retracted															Manual Extended
	4.85	5.00	5.50	6.00	6.50	7.00	7.50	8.00	8.50	9.00	9.50	10.00	10.50	11.00	11.45	
60° (radius)					7500 1.03	7500 1.28	7500 1.53	7500 1.78	7500 2.03	7500 2.28	6500 2.53	5900 2.78	5350 3.03	4850 3.28	4550 3.50	2400 5.13
50° (radius)		7500 1.01	7500 1.33	7500 1.65	7500 1.97	7500 2.30	7500 2.62	7500 2.94	7500 3.26	6250 3.58	5100 3.90	4600 4.22	4150 4.54	3800 4.87	3550 5.16	1900 7.24
40° (radius)	7500 1.54	7500 1.65	7500 2.03	7500 2.42	7500 2.80	7500 3.18	6900 3.57	6100 3.95	5500 4.33	4950 4.72	4250 5.10	3850 5.48	3500 5.86	3200 6.25	2950 6.59	1650 9.08
30° (radius)	7500 2.05	7500 2.18	7500 2.61	7500 3.05	7100 3.48	6200 3.91	5500 4.35	4900 4.78	4450 5.21	4000 5.64	3650 6.08	3350 6.51	3100 6.94	2800 7.38	2600 7.77	1500 10.58
20° (radius)	7500 2.44	7500 2.58	7500 3.05	7000 3.52	6100 3.99	5350 4.46	4750 4.93	4250 5.40	3850 5.87	3500 6.34	3150 6.81	2900 7.28	2650 7.75	2450 8.22	2300 8.64	1400 11.70
10° (radius)	7500 2.69	7500 2.84	7450 3.33	6400 3.83	5550 4.32	4900 4.81	4350 5.30	3900 5.80	3500 6.29	3200 6.78	2900 7.27	2650 7.77	2450 8.26	2250 8.75	2100 9.19	1350 12.39
0° (radius)	7500 2.80	7500 2.95	7150 3.45	6150 3.95	5350 4.45	4700 4.95	4200 5.45	3750 5.95	3400 6.45	3100 6.95	2800 7.45	2600 7.95	2350 8.45	220 8.95	2050 9.40	1350 12.65

Boom head mounted in rhino hook (kilograms)

Boom Angle	Boom Length Manual Retracted															Manual Extended
	5.35	5.50	6.00	6.50	7.00	7.50	8.00	8.50	9.00	9.50	10.00	10.50	11.00	11.50	11.95	
60° (radius)					6000 1.03	6000 1.28	6000 1.53	6000 1.78	6000 2.03	6000 2.28	6000 2.53	5900 2.78	5350 3.03	4850 3.28	4550 3.50	2440 5.13
50° (radius)		6000 1.01	6000 1.33	6000 1.65	6000 1.97	6000 2.30	6000 2.62	6000 2.94	6000 3.26	6000 3.58	5100 3.90	4600 4.22	4150 4.54	3800 4.87	3550 5.16	1900 7.24
40° (radius)	6000 1.54	6000 1.65	6000 2.03	6000 2.42	6000 2.80	6000 3.18	6000 3.57	6000 3.95	5500 4.33	4950 4.72	4250 5.10	3850 5.48	3500 5.86	3200 6.25	2950 6.59	1650 9.08
30° (radius)	6000 2.05	6000 2.18	7500 2.61	6000 3.05	6000 3.48	6000 3.91	5500 4.35	4900 4.78	4450 5.21	4000 5.64	3650 6.08	3350 6.51	3100 6.94	2800 7.38	2600 7.77	1500 10.58
20° (radius)	6000 2.44	7500 2.58	6000 3.05	6000 3.52	6000 3.99	5350 4.46	4750 4.93	4250 5.40	3850 5.87	3500 6.34	3150 6.81	2900 7.28	2650 7.75	2450 8.22	2300 8.64	1400 11.70
10° (radius)	6000 2.69	6000 2.84	6000 3.33	6000 3.83	5550 4.32	4900 4.81	4350 5.30	3900 5.80	3500 6.29	3200 6.78	2900 7.27	2650 7.77	2450 8.26	2250 8.75	2100 9.19	1350 12.39
0° (radius)	6000 2.80	6000 2.95	6000 3.45	6000 3.95	5350 4.45	4700 4.95	4200 5.45	3750 5.95	3400 6.45	3100 6.95	2800 7.45	2600 7.95	2350 8.45	2200 8.95	2050 9.40	1350 12.65

LIFTING HEIGHTS & RANGES

Boom pivot to outer lug, 1st jib extensions (kilograms)

Boom Angle	Boom Length Manual Retracted							
	4.12	4.50	5.00	5.50	6.00	6.50	7.00	7.42
60° (radius)						12300 1.21	11250 1.46	9700 1.67
50° (radius)			14000 1.17	13500 1.49	12200 1.81	11000 2.13	8950 2.46	7650 2.73
40° (radius)	14000 1.11	14000 1.40	14000 1.79	11350 2.17	9400 2.55	7900 2.94	6800 3.32	6000 3.64
30° (radius)	14000 1.52	13800 1.85	13300 2.29	8800 2.72	7350 3.15	6250 3.58	5350 4.02	4750 4.38
20° (radius)	14000 1.83	11500 2.18	9150 2.65	7500 3.12	6300 3.59	5350 4.06	4600 4.53	4050 4.93
10° (radius)	12700 2.01	10450 2.39	8350 2.88	6850 3.37	5750 3.86	4850 4.36	4200 4.85	3700 5.26
0° (radius)	12250 2.07	10100 2.45	8050 2.95	6600 3.45	5550 3.95	4700 4.45	4050 4.95	3600 5.37

Boom pivot to inner lug, 1st jib extensions (kilograms)

Boom Angle	Boom Length Manual Retracted							
	3.58	4.00	4.50	5.00	5.50	6.00	6.50	6.88
60° (radius)							12650 1.21	11500 1.40
50° (radius)				14000 1.17	13300 1.49	12050 1.81	10700 2.13	9100 2.38
40° (radius)		14000 1.02	1400 1.40	13700 1.79	10950 2.17	9050 2.55	7600 2.94	6750 3.23
30° (radius)	1400 1.06	1400 1.42	13700 1.85	10400 2.29	8450 2.72	7050 3.15	5950 3.58	5300 3.91
20° (radius)	14000 1.32	14000 1.71	11100 2.18	8800 2.65	7200 3.12	6000 3.59	5100 4.06	4550 4.42
10° (radius)	1.48 1.48	1.89 1.89	2.39 2.39	2.88 2.88	3.37 3.37	3.86 3.86	4.36 4.36	4.73 4.73
0° (radius)	14000 1.53	12650 1.95	9700 2.45	7750 2.95	6350 3.45	5300 3.95	4500 4.45	4000 4.83

London Depot

Tel: 0208 683 1188 Fax: 0208 683 1199

southernlifting@tiscali.co.uk