

# SOUTHERN CRANES & ACCESS

## Genie Z45/25



**Southern Cranes & Access Ltd**

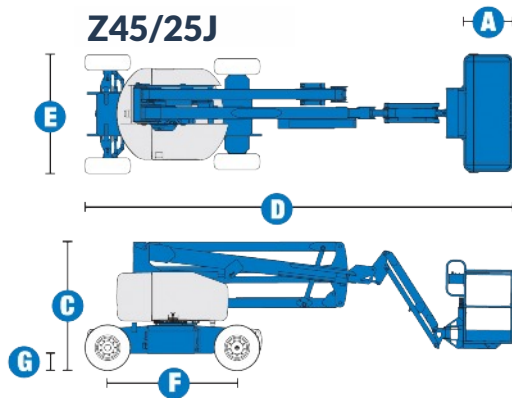
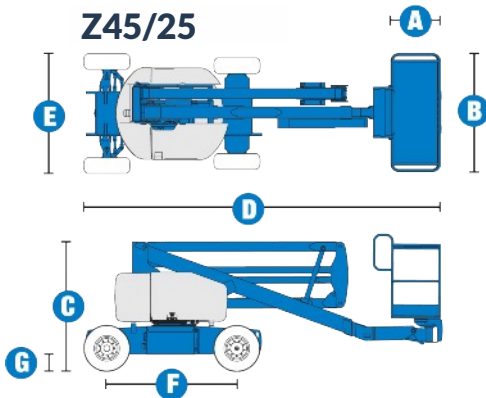
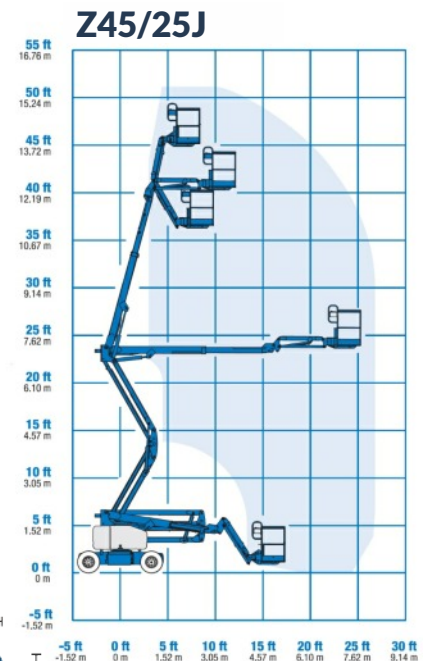
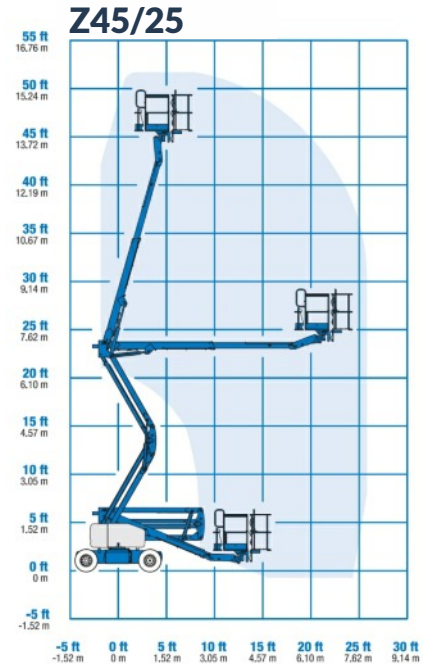
Pollards Way, Southwater, Horsham, RH13 9AQ

Access hire: 01403 339105 . Crane hire: 01403 790874  
sales@southerncranes.co.uk . www.southerncranes.co.uk

Cranes  
Access  
Transport  
Contract Lifting  
Training

# Genie Z45

Model	Z-45/25	Z-45/25J
Working height*	15.9 m	15.9 m
Platform height	13.9 m	13.9 m
Height - stowed (A)	2.08 m	2.08 m
Length - stowed (B)	5.5 m	6.8 m
Width (C)	2.24 m	2.24 m
Wheelbase (D)	2.03 m	2.03 m
Ground clearance - centre	33 cm	33 cm
Ground clearance - min (E)	25 cm	25 cm
Platform length (F)	76 cm	76 cm
Platform width	1.83 m	1.83 m
Horizontal reach max	7.5 m	7.7 m
Up and over clearance	6.9 m	6.9 m
Lift capacity	227 kg	227 kg
Turning radius - inside	1.37 m	1.37 m
Turntable rotation	359° non-continuous	
Turntable tail-swing	zero	zero
Platform rotation	180°	160°
Drive speed - stowed	7.7 km/h	7.7 km/h
Drive speed - stowed	1 km/h	1 km/h
Lift speed to full height	45 sec	45 sec
Controls	12 V DC proportional	
Auxiliary power unit	12 V DC	
Tyres	14-17.5	
Gradeability - 4x4	45%	
Gradeability - 4x2	30%	
Hydraulic tank capacity	95 litre	95 litre
Fuel tank capacity	54 litre	54 litre
Weight - 4x4**	6,261 kg	6,352 kg
Weight - 4x2**	6,171 kg	6,261 kg



\* The equivalent of working height adds 2 metres to platform height.

\*\* Weight will vary depending on options and/or country standards

**Southern Cranes & Access Ltd**

Pollards Way, Southwater, Horsham, RH13 9AQ

Access hire: 01403 339105 . Crane hire: 01403 790874  
[sales@southerncranes.co.uk](mailto:sales@southerncranes.co.uk) . [www.southerncranes.co.uk](http://www.southerncranes.co.uk)

14 September 2016