

SOUTHERN CRANES & ACCESS

Terex AT14



Southern Cranes & Access Ltd

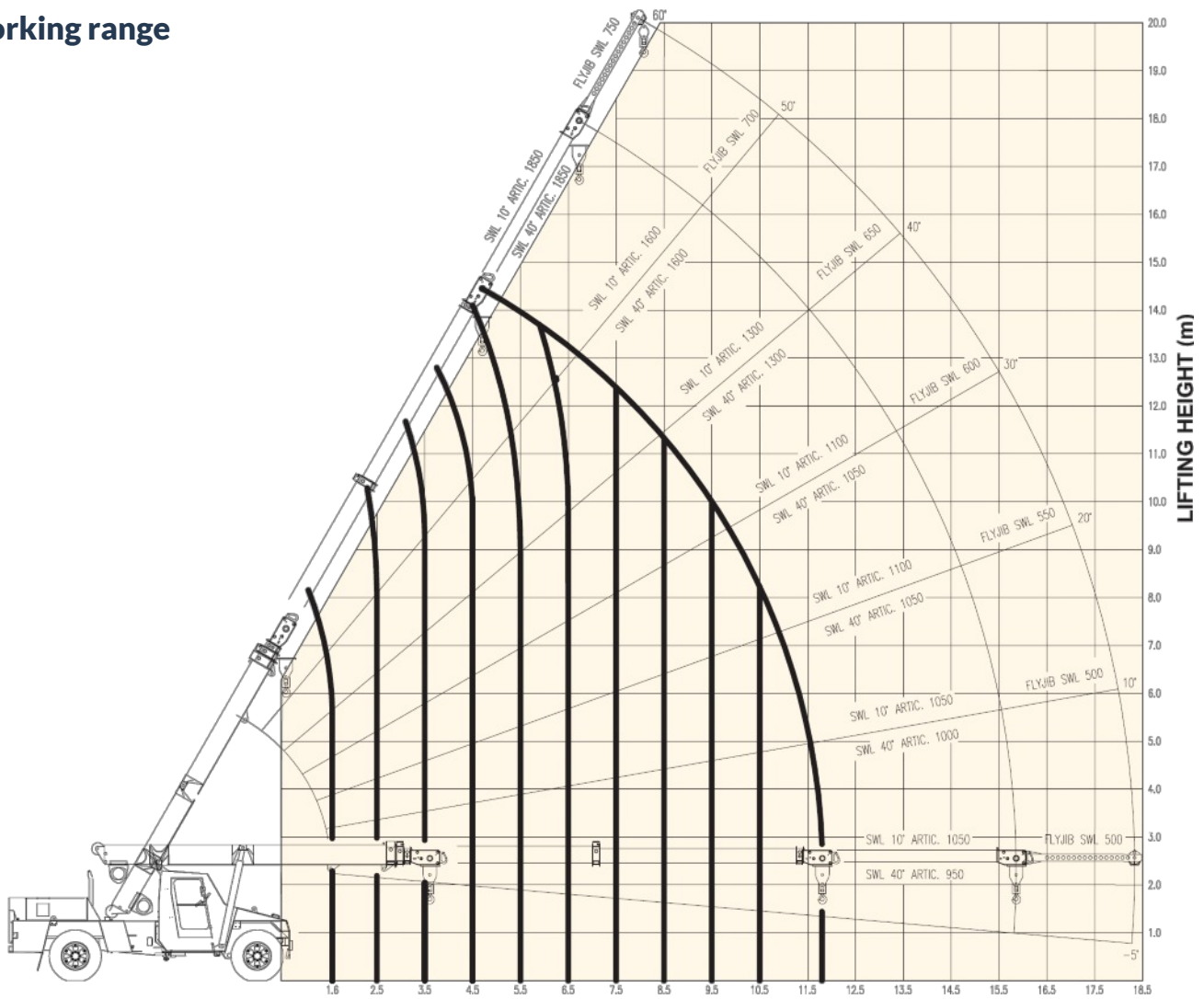
Pollards Way, Southwater, Horsham, RH13 9AQ

Access hire: 01403 339105 . Crane hire: 01403 790874
sales@southerncranes.co.uk . www.southerncranes.co.uk

Cranes
Access
Transport
Contract Lifting
Training

Terex AT14

Working range



Boom pivot to outer lug, 1st jib extensions (kilograms)

Boom Angle (radius)	Boom Length Manual Retracted							
	4.12	4.50	5.00	5.50	6.00	6.50	7.00	7.42
60° (radius)						12300 1.21	11250 1.46	9700 1.67
50° (radius)			14000 1.17	13500 1.49	12200 1.81	11000 2.13	8950 2.46	7650 2.73
40° (radius)	14000 1.11	14000 1.40	14000 1.79	11350 2.17	9400 2.55	7900 2.94	6800 3.32	6000 3.64
30° (radius)	14000 1.52	13800 1.85	13300 2.29	8800 2.72	7350 3.15	6250 3.58	5350 4.02	4750 4.38
20° (radius)	14000 1.83	11500 2.18	9150 2.65	7500 3.12	6300 3.59	5350 4.06	4600 4.53	4050 4.93
10° (radius)	12700 2.01	10450 2.39	8350 2.88	6850 3.37	5750 3.86	4850 4.36	4200 4.85	3700 5.26
0° (radius)	12250 2.07	10100 2.45	8050 2.95	6600 3.45	5550 3.95	4700 4.45	4050 4.95	3600 5.37

Terex AT14

Hoist Rope duties (kilograms)

Boom Angle	Boom Length Manual Retracted															Manual Extended
	4.85	5.00	5.50	6.00	6.50	7.00	7.50	8.00	8.50	9.00	9.50	10.00	10.50	11.00	11.45	
60° (radius)					7500	7500	7500	7500	7500	7500	6500	5900	5350	4850	4550	2400
					1.03	1.28	1.53	1.78	2.03	2.28	2.53	2.78	3.03	3.28	3.50	5.13
50° (radius)		7500	7500	7500	7500	7500	7500	7500	7500	6250	5100	4600	4150	3800	3550	1900
		1.01	1.33	1.65	1.97	2.30	2.62	2.94	3.26	3.58	3.90	4.22	4.54	4.87	5.16	7.24
40° (radius)	7500	7500	7500	7500	7500	7500	6900	6100	5500	4950	4250	3850	3500	3200	2950	1650
	1.54	1.65	2.03	2.42	2.80	3.18	3.57	3.95	4.33	4.72	5.10	5.48	5.86	6.25	6.59	9.08
30° (radius)	7500	7500	7500	7500	7100	6200	5500	4900	4450	4000	3650	3350	3100	2800	2600	1500
	2.05	2.18	2.61	3.05	3.48	3.91	4.35	4.78	5.21	5.64	6.08	6.51	6.94	7.38	7.77	10.58
20° (radius)	7500	7500	7500	7000	6100	5350	4750	4250	3850	3500	3150	2900	2650	2450	2300	1400
	2.44	2.58	3.05	3.52	3.99	4.46	4.93	5.40	5.87	6.34	6.81	7.28	7.75	8.22	8.64	11.70
10° (radius)	7500	7500	7450	6400	5550	4900	4350	3900	3500	3200	2900	2650	2450	2250	2100	1350
	2.69	2.84	3.33	3.83	4.32	4.81	5.30	5.80	6.29	6.78	7.27	7.77	8.26	8.75	??	12.39
0° (radius)	7500	7500	7150	6150	5350	4700	4200	3750	3400	3100	2800	2600	2350	220	2050	1350
	2.80	2.95	3.45	3.95	4.45	4.95	5.45	5.95	6.45	6.95	7.45	7.95	8.45	8.95	9.40	12.65

Boom head mounted in rhino hook (kilograms)

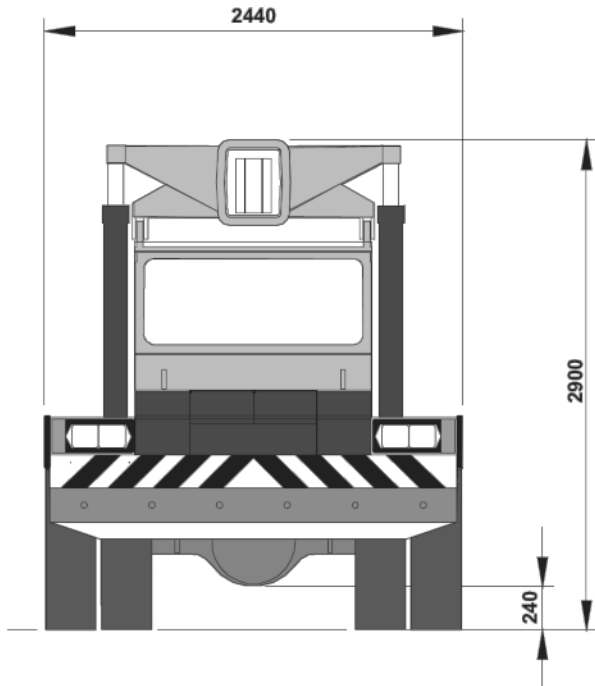
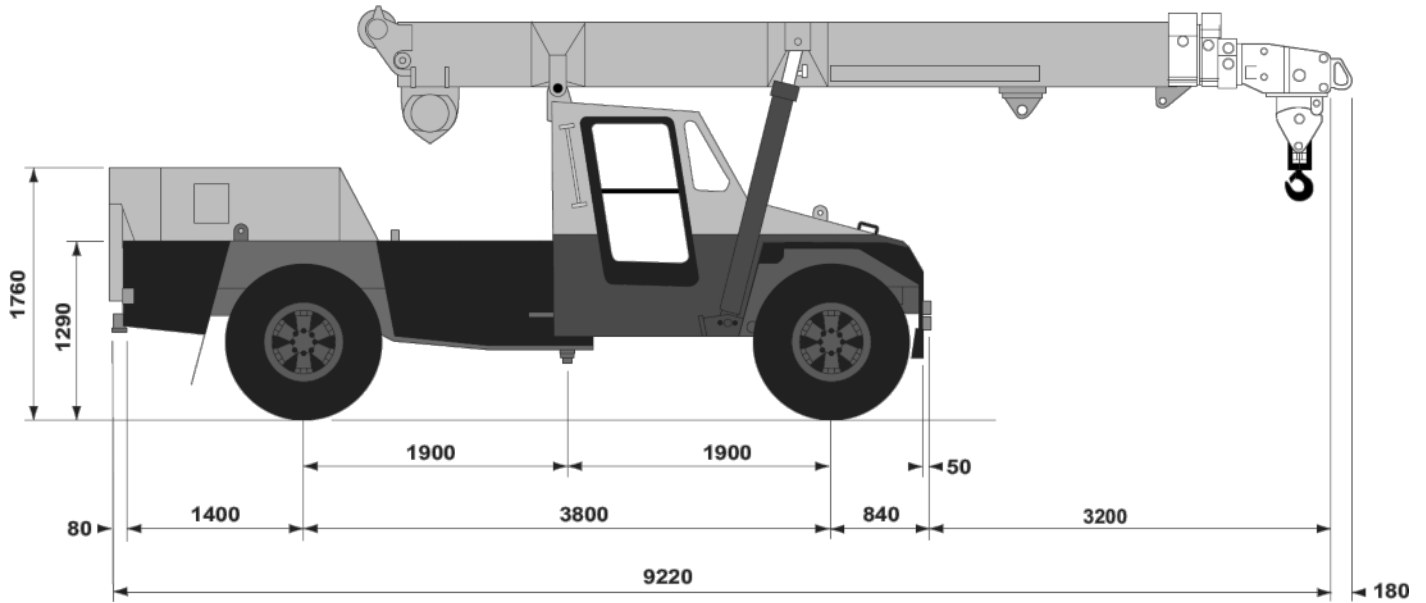
Boom Angle	Boom Length Manual Retracted															Manual Extended
	5.35	5.50	6.00	6.50	7.00	7.50	8.00	8.50	9.00	9.50	10.00	10.50	11.00	11.50	11.95	
60° (radius)					6000	6000	6000	6000	6000	6000	6000	5900	5350	4850	4550	2440
					1.03	1.28	1.53	1.78	2.03	2.28	2.53	2.78	3.03	3.28	3.50	5.13
50° (radius)		6000	6000	6000	6000	6000	6000	6000	6000	6000	5100	4600	4150	3800	3550	1900
		1.01	1.33	1.65	1.97	2.30	2.62	2.94	3.26	3.58	3.90	4.22	4.54	4.87	5.16	7.24
40° (radius)	6000	6000	6000	6000	6000	6000	6000	6000	5500	4950	4250	3850	3500	3200	2950	1650
	1.54	1.65	2.03	2.42	2.80	3.18	3.57	3.95	4.33	4.72	5.10	5.48	5.86	6.25	6.59	9.08
30° (radius)	6000	6000	7500	6000	6000	6000	5500	4900	4450	4000	3650	3350	3100	2800	2600	1500
	2.05	2.18	2.61	3.05	3.48	3.91	4.35	4.78	5.21	5.64	6.08	6.51	6.94	7.38	7.77	10.58
20° (radius)	6000	7500	6000	6000	6000	5350	4750	4250	3850	3500	3150	2900	2650	2450	2300	1400
	2.44	2.58	3.05	3.52	3.99	4.46	4.93	5.40	5.87	6.34	6.81	7.28	7.75	8.22	8.64	11.70
10° (radius)	6000	6000	6000	6000	5550	4900	4350	3900	3500	3200	2900	2650	2450	2250	2100	1350
	2.69	2.84	3.33	3.83	4.32	4.81	5.30	5.80	6.29	6.78	7.27	7.77	8.26	8.75	9.19	12.39
0° (radius)	6000	6000	6000	6000	5350	4700	4200	3750	3400	3100	2800	2600	2350	2200	2050	1350
	2.80	2.95	3.45	3.95	4.45	4.95	5.45	5.95	6.45	6.95	7.45	7.95	8.45	8.95	9.40	12.65

Boom pivot to inner lug, 1st jib extensions (kilograms)

Boom Angle	Boom Length Manual Retracted							
	3.58	4.00	4.50	5.00	5.50	6.00	6.50	6.88
60° (radius)							12650	11500
							1.21	1.40
50° (radius)				14000	13300	12050	10700	9100
				1.17	1.49	1.81	2.13	2.38
40° (radius)		14000	1400	13700	10950	9050	7600	6750
		1.02	1.40	1.79	2.17	2.55	2.94	3.23
30° (radius)	1400	1400	13700	10400	8450	7050	5950	5300
	1.06	1.42	1.85	2.29	2.72	3.15	3.58	3.91
20° (radius)	14000	14000	11100	8800	7200	6000	5100	4550
	1.32	1.71	2.18	2.65	3.12	3.59	4.06	4.42
10° (radius)	1.48	1.89	2.39	2.88	3.37	3.86	4.36	4.73
	1.48	1.89	2.39	2.88	3.37	3.86	4.36	4.73
0° (radius)	14000	12650	9700	7750	6350	5300	4500	4000
	1.53	1.95	2.45	2.95	3.45	3.95	4.45	4.83

Terex AT14

Dimensions



Southern Cranes & Access Ltd

Pollards Way, Southwater, Horsham, RH13 9AQ

Access hire: 01403 339105 . Crane hire: 01403 790874
sales@southerncranes.co.uk . www.southerncranes.co.uk

04 October 2016